

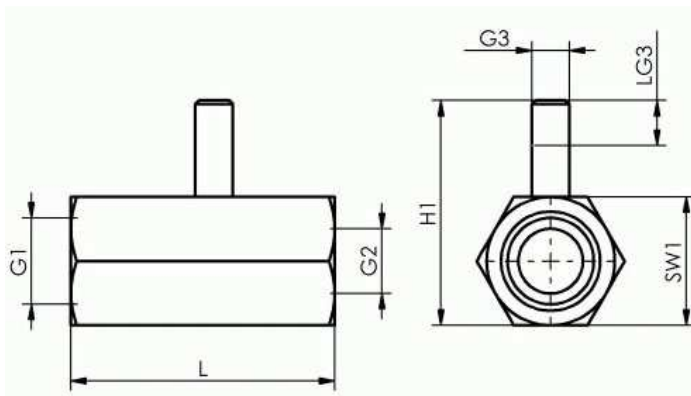
For vacuum generation directly at the point of use.
For direct installation between the suction pad and the compressed air supply.

Purely pneumatic vacuum generator that operates on the Venturi principle. Compressed air enters the ejector and flows through a nozzle. This results in a vacuum immediately behind the nozzle outlet, and air is drawn in through the vacuum inlet. This air and the diving air leave the ejector and enter the atmosphere via the exhaust air outlet.



VR 07

- Characteristics:**
- Vacuum generator with a high maximum vacuum value (85%)
 - No moving parts, which means no wear and no maintenance
 - Extremely space-saving installation, ideal where space is restricted
 - Minimum compressed air consumption
 - Low noise output
- Applications:**
- Direct installation on the suction pad by screwing / plugging into the distribution beam
 - Handling all kinds of workpiece
- Body:** Anodised aluminium (type VR)
- Nozzle system:** Brass (type VR)
- Connection:** Screw or plug connection
- Operating temperature:** 0 to 60 °C



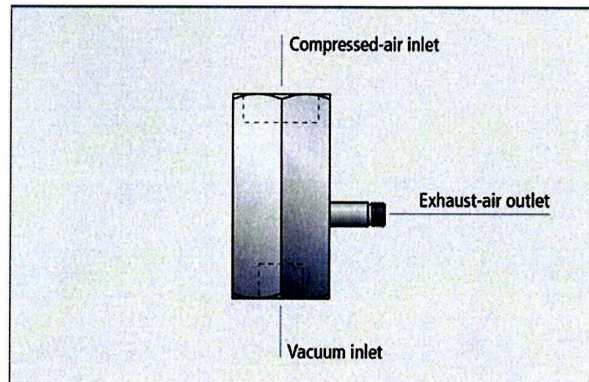
Inline ejectors „VR“, screw connection

Art. No.	Nozzle size	G1	G2	G3	H1	L	LG3	a/f 1
VR 07	0.7	G 1/4 - IG	G 1/8 - IG	M5 - AG	29.8	35.0	5.0	17.0
VR 09	0.9	G 1/4 - IG	G 1/8 - IG	M5 - AG	29.8	35.0	5.0	17.0

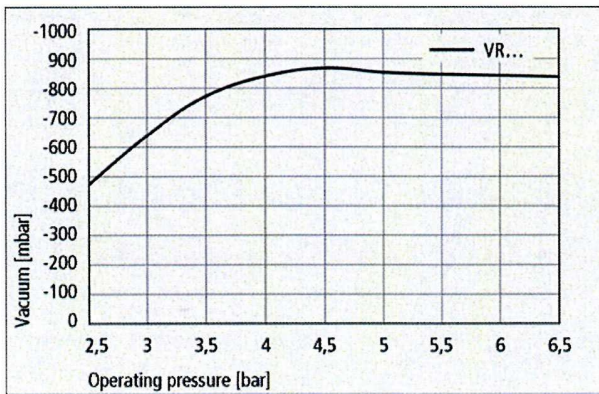
Technical data

Art. No.	Degree of evacuation [%]	Max. suction rate [l/min]	Max. suction rate [m³/h]	Air consumpt. during evac. [l/min]*	Air consumpt. during evac. [m³/h]*	Operating pressure [bar]	Weight [g]
VR 07	90.0	14.0	0.8	21.0	1.3	5.0	15.0
VR 09	89.0	21.0	1.3	36.0	2.2	5.0	15.0

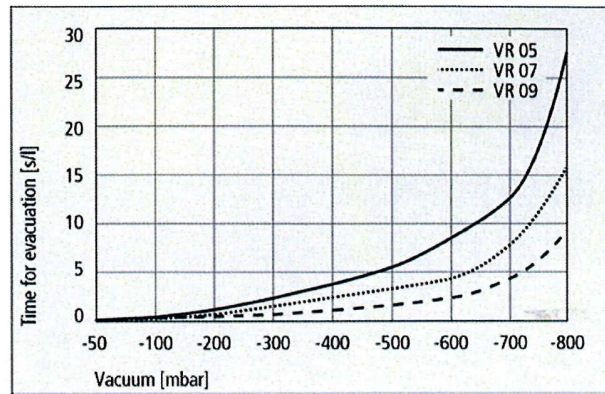
*At optimal operating pressure



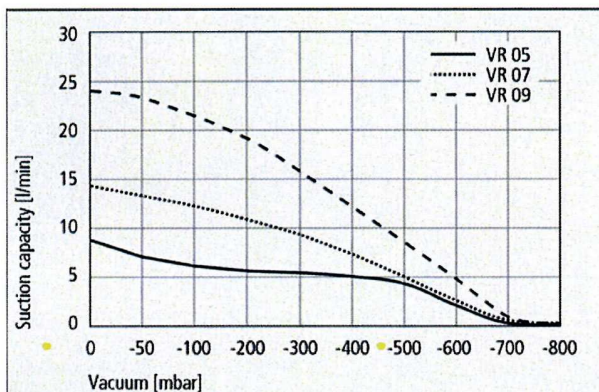
Performance data



Achievable vacuum at various operating pressures



Evacuation times for various vacuum ranges



Suction capacity at various degrees of evacuation

Suction capacity in l/min at various degrees of evacuation

Art. No.	Degrees of evacuation in mbar									
	0	-50	-100	-200	-300	-400	-500	-600	-700	-800
VR 07	14.0	13.0	12.5	11.0	9.5	7.4	5.0	3.0	0.5	0.2
VR 09	24.0	23.0	21.0	19.0	16.0	12.0	8.0	5.0	1.1	0.2

Evacuation time in s/l for various vacuum ranges

Art. No.	Degree of evacuation in mbar								
	-50	-100	-200	-300	-400	-500	-600	-700	-800
VR 07	0.2	0.4	0.8	1.4	2.2	3.2	4.8	7.8	15.7
VR 09	0.1	0.2	0.5	0.8	1.3	1.8	2.8	4.5	8.6